



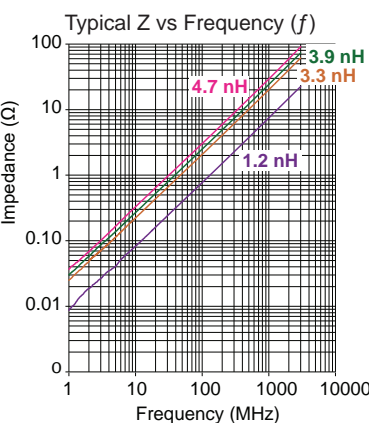
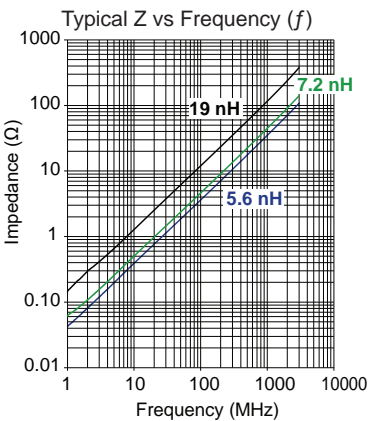
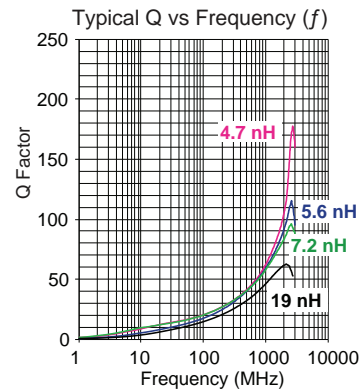
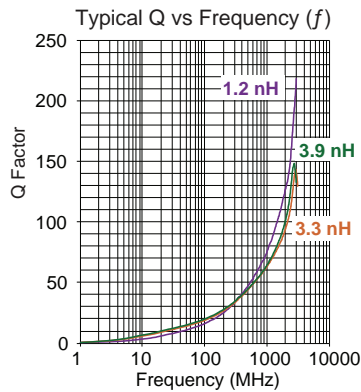
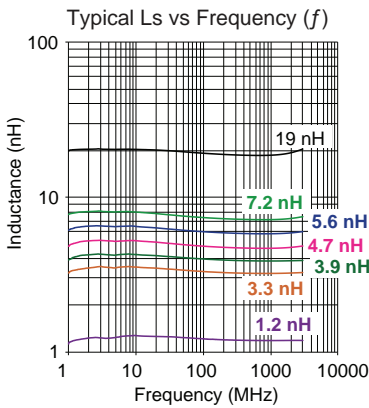
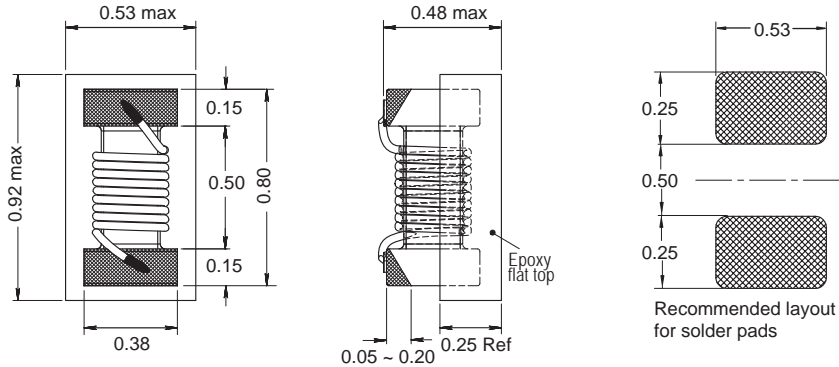
0302 AS



PRELIMINARY SPECIFICATION

Chip Inductors for RF Applications

Chip Inductors for RF Applications



Part No	Inductance L (nH)	f _L (MHz)	Tol ± (%)	Q _{typ} @ 900 MHz	Q _{typ} @ 1.7 GHz	Q _{typ} @ 2.4 GHz	SRF _{typ} (GHz)	DCR max (Ω)	Rated DC Current (A)
0302AS-1N2K-YY	1.2	250	10	50	80	100	16.10	0.045	1.40
0302AS-1N7K-YY	1.7	250	10	50	75	95	16.10	0.045	1.20
0302AS-1N9K-YY	1.9	250	10	50	70	95	16.00	0.055	1.20
0302AS-2N1K-YY	2.1	250	10	45	65	90	15.90	0.065	1.20
0302AS-3N0K-YY	3.0	250	10	45	60	90	15.10	0.065	1.00
0302AS-3N3K-YY	3.3	250	10	43	60	90	11.50	0.065	1.00
0302AS-3N5K-YY	3.5	250	10	43	60	90	11.50	0.075	1.00
0302AS-3N9K-YY	3.9	250	10	40	60	90	10.60	0.085	1.00
0302AS-4N7K-YY	4.7	250	10	40	60	90	12.00	0.090	0.80
0302AS-5N6K-YY	5.6	250	10	40	60	80	6.40	0.100	0.75
0302AS-6N3K-YY	6.3	250	10	40	60	75	9.30	0.110	0.70
0302AS-6N5K-YY	6.5	250	10	40	60	70	8.10	0.115	0.70
0302AS-7N2K-YY	7.2	250	10	40	60	70	9.10	0.115	0.70
0302AS-7N4K-YY	7.4	250	10	40	60	70	7.90	0.115	0.70
0302AS-011J-YY	11	250	5	40	55	60	6.85	0.150	0.65
0302AS-018J-YY	18	250	5	32	45	45	6.00	0.320	0.45
0302AS-019J-YY	19	250	5	32	45	45	5.79	0.350	0.40

Core Material: Ceramic

Revision date: 08 Dec 2025

SPQ: Taped / Reel 1000 [-08]
5000 [-01]

Remarks: Unlisted inductance values available upon request.